

ACEDRYER

BDseries

箱式干燥机
BOX TYPE DRYER

箱型干燥机具有构造简单，热风分布均匀的特点

Box Type Dryer from Kawata has Simple Structure, Uniform Hot Blast Distribution

- 特别适用于小批量、多品种材料的干燥
- 也可作为其他干燥方式的预备干燥
- Box type dryer from Kawata has simple structure, adjustable airflow and uniform hot blast distribution
- It is ideal for drying of small batch, multiple materials, and the pre-drying of other drying methods



BD-100-KS

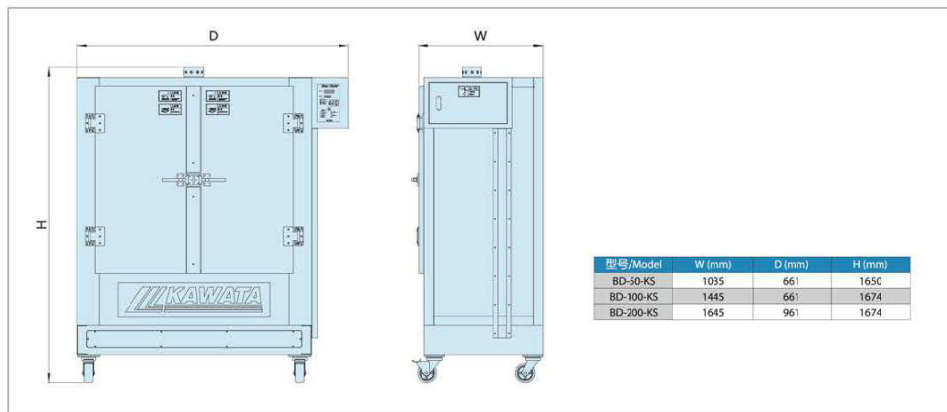


BD-100-KS(内部/Inside)

规格 Specifications

型号/Model	BD-50-KS	BD-100-KS	BD-200-KS
干燥温度/Drying temperature (°C)	Max.160		
装料量/Feeding volume (kg)	50	100	200
干燥风机容量/Drying blower capacity (kW)	0.18	0.37	0.75
加热管容量/Heater capacity (kW)	0.6×6	0.6×12	0.6×18
干燥室内部尺寸(长×宽×高)/ Dryer inside demisions (D ×W ×H) (mm)	510×595×940	510×1000×940	810×1010×940
托盘尺寸/Dimensions of tray (mm)	400×500×48		
托盘数/Tray quantity	9	18	36
托盘材质/Tray material	SUS304		
报警功能/Alarm	逆相、过负荷、温度上限、温度下限、热电偶断线、MG1异常 Reverse phase, Over load, Temp.high, Temp.low, Sensor brank, MG1 Error		
主断路器容量/Main breaker capacity (380-415/200-220V)(A)	10/20	15/32	32/50
总电气容量/Power supply (kW)	3.8	7.6	11.6
涂装色/Painting color	日漆工 Y15-85A 半艶 J/PMA Y15-85A, semigloss		
机器重量/Weight (kg)	260	360	520

外形尺寸图 Dimensions



干燥机
DRYER
BDseries